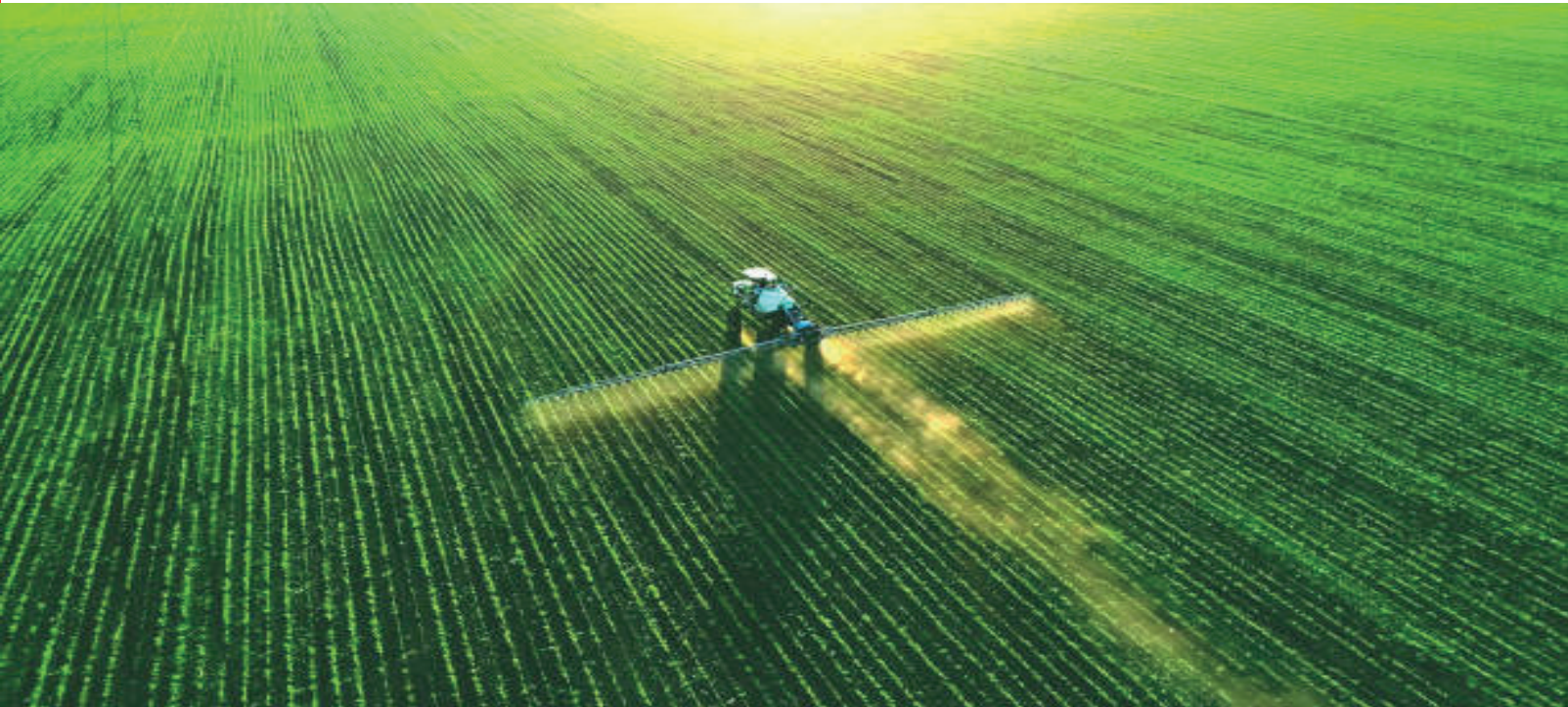


مضخات ميكرون والمحركات

**MICRON PUMPS AND MOTORS**



Suitable for use with clean water that does not contain abrasive particles and liquids that are not chemically aggressive towards the materials from which the pump is made. They are easy to use and are economical, they are ideal for domestic use and in particular for distributing water in combination with small pressure sets and for the irrigation of gardens and allotments. The pump should be installed in an enclosed environment, or at least sheltered from inclement weather.



**Operating Conditions**

Liquid Temperature upto 60°C  
Ambient Temperature upto 60°C  
Total Suction Lift upto 9m

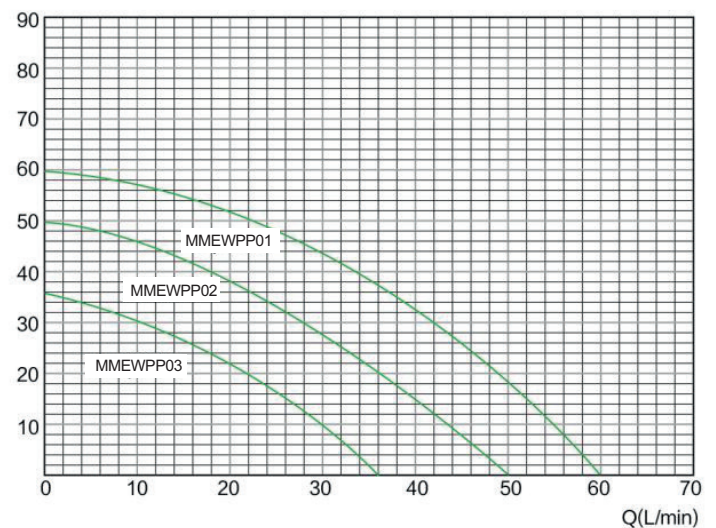
**Motor**

Two Pole Induction Motor  
Insulation Class B  
Protection: IP44  
Continuous Service S1  
Thermal Protector for Single Phase  
Single Phase-220V/50Hz  
Three Phase-380V/50Hz

**Material**

Pump Body: Cast Iron  
Pump Support: Cast Iron  
Motor Housing: Aluminium  
Impeller: Brass  
Motor Shaft: Carbon Steel  
Mechanical Seal: Ceramic/Graphite

H(m) Performance chart at n ≈ 2850min



Type	Power		H. max m	Q. max L/min	Size inch	S.head m	N.W. Kg	Packing QTY
	KW	HP						
MMEWPP01	0.37	0.5	36	36	1"X1"	9	5.5	3600
MMEWPP02	0.55	0.75	50	50	1"X1"	9	8.5	2200
MMEWPP03	0.75	1	60	60	1"X1"	9	9	2200

Suitable for use with clean water that does not contain abrasive particles and liquids that are not chemically aggressive towards the materials from which the pump is made. They are easy to use and are economical, they are ideal for domestic use and in particular for distributing water in combination with small pressure sets and for the irrigation of gardens and allotments. The pump should be installed in an enclosed environment, or at least sheltered from inclement weather.



### Operating Conditions

Liquid Temperature upto 60°C  
Ambient Temperature upto 60°C  
Total Suction Lift upto 9m

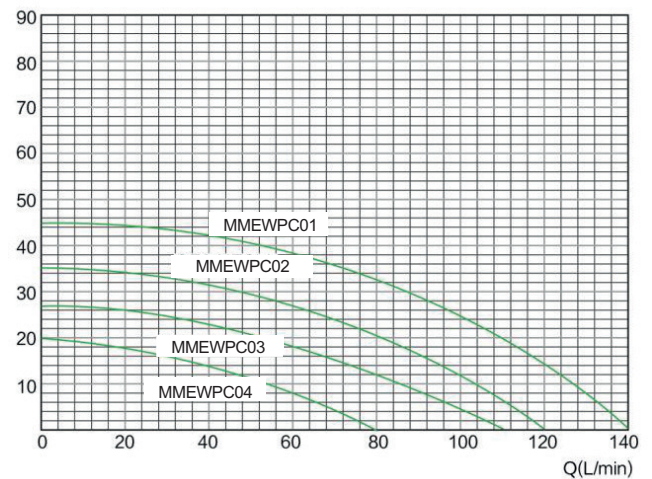
### Motor

Two Pole Induction Motor  
Insulation Class B  
Protection: IP44  
Continuous Service S1  
Thermal Protector for Single Phase  
Single Phase-220V/50Hz  
Three Phase-380V/50Hz

### Material

Pump Body: Stainless Steel  
Pump Support: Stainless Steel  
Motor Housing: Aluminium  
Impeller: Brass  
Motor Shaft: Carbon Steel  
Mechanical Seal: Ceramic/Graphite

H(m) Performance chart at n ≈ 2850min



Type	Power		H. max	Q. max	Size	S.head	N.W.	Packing QTY
	KW	HP	m	L/min	inch	m	Kg	
MMEWPC01	0.35	0.5	20	80	1"X1"	9	8	2200
MMEWPC02	0.75	1	35	120	1"X1"	9	13	1540
MMEWPC03	1.1	1.5	42	130	1.25"X1"	9	20	1200
MMEWPC04	1.5	2	45	140	1.25"X1"	9	21	1200



Suitable for use with clean water that does not contain abrasive particles and liquids that are not chemically aggressive towards the materials from which the pump is made. They are easy to use and are economical, they are ideal for domestic use and in particular for distributing water in combination with small pressure sets and for the irrigation of gardens and allotments. The pump should be installed in an enclosed environment, or at least sheltered from inclement weather.



**Operating Conditions**

Liquid Temperature upto 60°C  
Ambient Temperature upto 60°C  
Total Suction Lift upto 9m

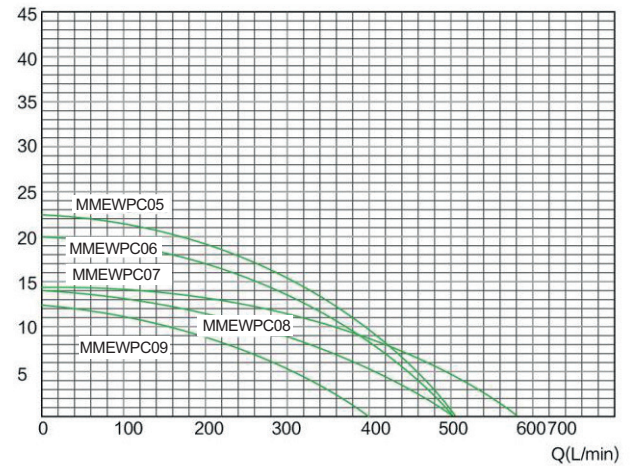
**Motor**

Two Pole Induction Motor  
Insulation Class B  
Protection: IP44  
Continuous Service S1  
Thermal Protector for Single Phase  
Single Phase-220V/50Hz  
Three Phase-380V/50Hz

**Material**

Pump Body: Stainless Steel  
Pump Support: Stainless Steel  
Motor Housing: Aluminium  
Impeller: Brass  
Motor Shaft: Carbon Steel  
Mechanical Seal: Ceramic/Graphite

H(m) Performance chart at n ≈ 2850min



Type	Power		H. max	Q. max	Size	S. head	Packing QTY
	KW	HP	m	L/min	inch	m	
MMEWPC05	0.6	0.8	12.5	400	2"X2"	9	1600
MMEWPC06	0.75	1	14	500	2"X2"	9	1600
MMEWPC07	1.1	1.5	14.5	600	2"X2"	9	1600
MMEWPC08	1.1	1.5	20	500	2"X2"	9	1200
MMEWPC09	1.5	2	22.5	500	2"X2"	9	1200



R&D  
Ability

Service

Honesty

Trust

Communication

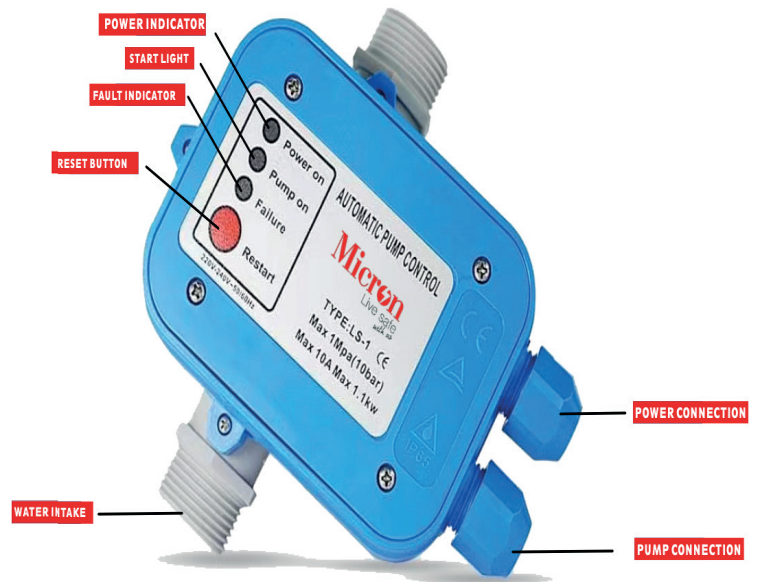
Quality

# WATER PUMP PRESSURE CONTROL HORIZONTAL AND VERTICAL

The product is specially designed to automatically control the running of household water pumps.  
The main function of the product is to keep the household water supply system in water supply state with a constant pressure.



**VERTICAL**



**HORIZONTAL**

## TECHNICAL SPECIFICATIONS

Pressure Range: 1.2bar — 10bar  
Connection: 1" x 1"  
IP Protection: IP 65  
Rated Current: 10A  
Rated Voltage: 220-240V  
Max Power: 1.5kW - 2.0 H P  
Frequency: 50/60Hz  
Ambient Temp: 60°C

## FLOAT SWITCHES

Cable Float Switches is a mechanically actuated floating switch intended to activate electrical components, such as pumps, to start and stop automatically.

### FEATURES

Simple construction and reliable performance  
Sturdy and durable.  
The product can be used for a long time after it being installed.  
Easy installation method and convenient adjustment method.  
Wide application scope.

### TECHNICAL SPECIFICATIONS

Nominal Voltage Rated Current: 250V 8A  
Nominal Voltage Rated Current: 380V 4A  
EA Working Temperature: 0-80°C  
Electrical Life: 1\*100000  
Mechanical Life: 5\*100000  
IP Rating: IP68  
Available with Cable Lengths of 2m, 3m, 5m, 10m.



## DOL STARTERS

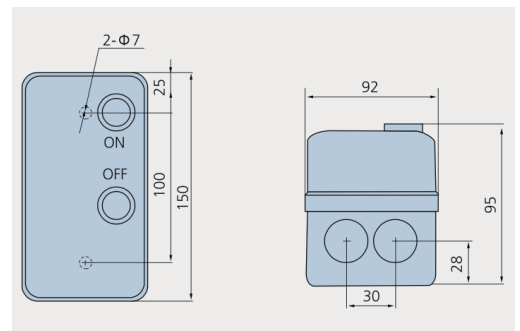
Micron Motor starter is used to control the direct starting and stopping of AC Motors of rated voltage upto 550V. It protects the motors from overload.

### FEATURES

Excellent Aesthetics  
Sturdy and durable  
Flush Mounted Push Buttons  
Built in Overload Relay  
Silver Contacts for Long Life  
Used for Submersible and Surface Mounted Pumps  
Wide Relay Range  
Wide Band Operating Coil  
Easy installation method and convenient adjustment method.



### MOUNTING DIMENSIONS





## **MICRON ME LLC FZ**

Meydan Free Zone, Nad Al Sheba,  
Dubai, United Arab Emirates

E-mail: [sales@micronme.com](mailto:sales@micronme.com)



[Facebook@micronmiddleeast](#)  
[Instagram@micronmiddleeast](#)